

Product Datasheet

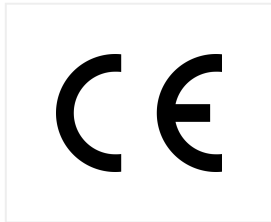
Product Characteristics

SENS-EX-DI4

MCP230008 I2C GPIO Expander
4 x Digital Inputs Sink / Source

Product Certifications

Product is certified to comply with CE Standards
2014/30/EU- Electromagnetic Compatibility (EMC)
Annex III, Part B, Module C



EN 61131-2:2007
EN 61010-1:2010+A1:2019
EN IEC 61010-2-201:2018

[ECR-63629 \(https://norvi.lk/wp-content/uploads/2022/09/ECR-63629.pdf\)](https://norvi.lk/wp-content/uploads/2022/09/ECR-63629.pdf) [Download \(https://norvi.lk/wp-content/uploads/2022/09/ECR-63629.pdf\)](https://norvi.lk/wp-content/uploads/2022/09/ECR-63629.pdf)

Product Specifications

Range of Product	SENS EX
Product type	I/O Expansion Module
Rated supply voltage	24V DC
Discrete input number	4 discrete input
Communication	I2C

Main

Supply voltage limits	20.4....28.8V
Inrush current	<=10A
Discrete logic input	Sink or source

Discrete input voltage	24V DC
Voltage state 1 guaranteed	=15 V for input
Voltage state 0 guaranteed	<=5 V for input
Discrete input current	5 mA for input
Input impedance	4.7k Ohm for input
Local signaling	1 LED green for PWR
Electrical connection	Removable screw terminal block for inputs and outputs (pitch 5.08 mm)
Mounting support	Top hat type TH35-15 rail conforming to IEC 60715 Top hat type TH35-7.5 rail conforming to IEC 60715 Plate or panel with fixing kit
Height	90.50 mm
Depth	56.60 mm
Width	60.60 mm
Product weight	0.18 Kg

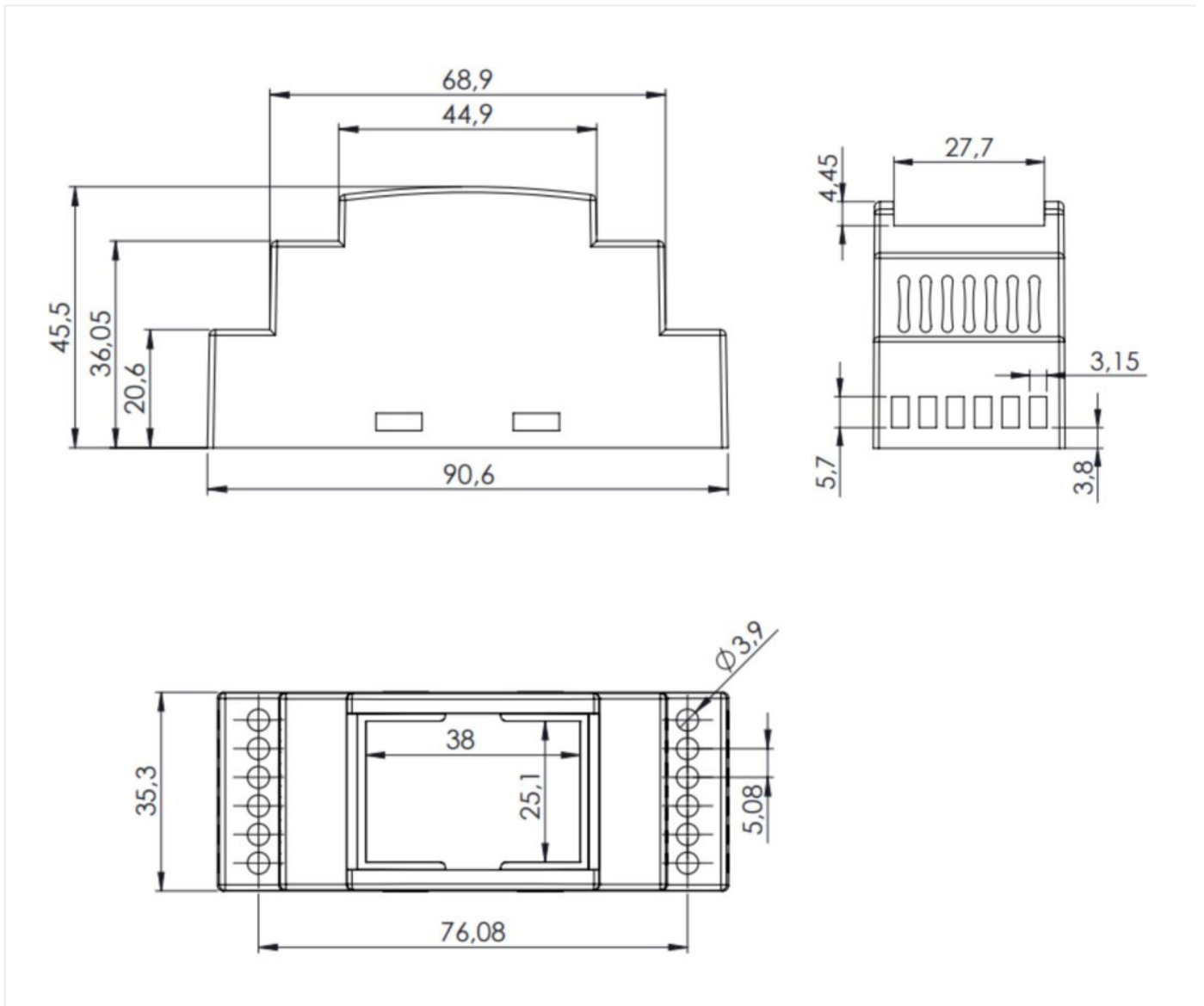
Complementary

Environment

Resistance to electrostatic discharge	4kV on contact 8kV on air
Resistance to electro magnetic fields	10 V/m (80 MHz 1GHz) 3 V/m (1.4 MHz 2 GHz) 1 V/m (2 MHz 3 GHz)
Immunity to microbreaks	10 ms
Relative humidity	10....95% without condensation in operation
IP degree of protection	IP20
Operating altitude	0...2000m
Operating Temperature	-40°C to +125°C
Storage altitude	0...3000m
Shock resistance	15 gn for 11 ms

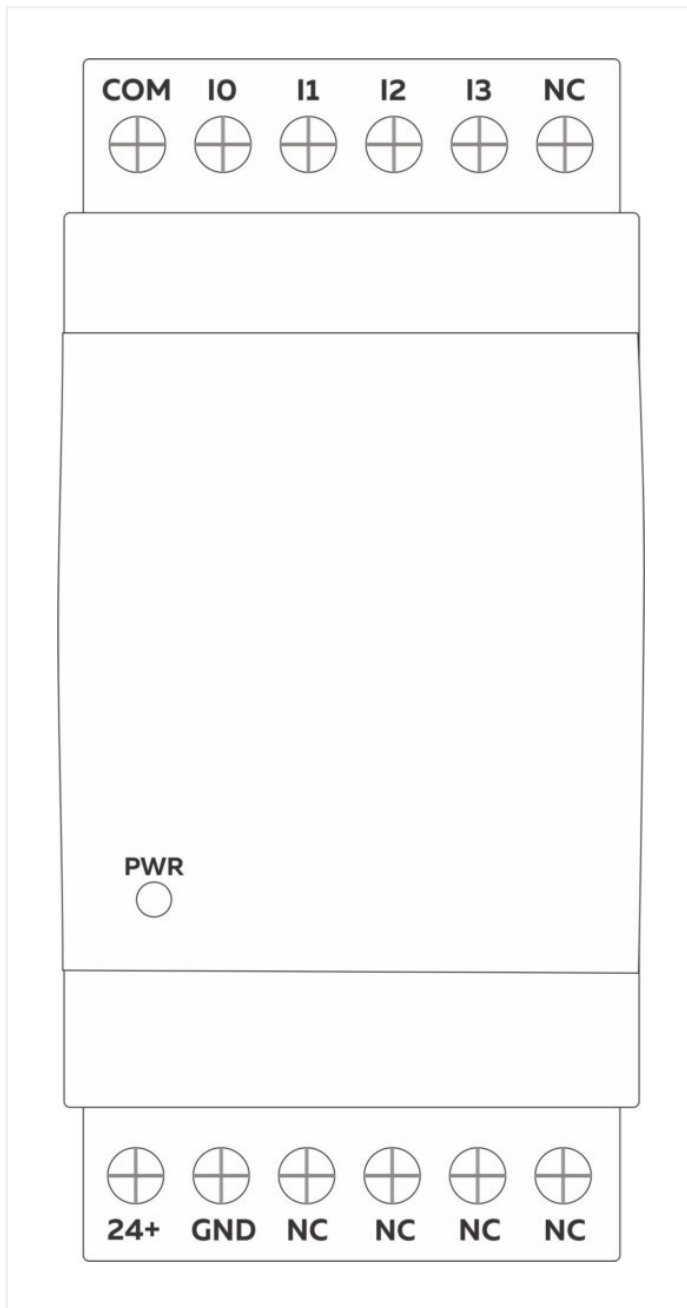
Environment

Dimensions



SENSOPER-EX

Terminal Layout



SENSOPER-EX

GPIO Allocation

MCP230008	I/O
GP0	I0 – DIGIAL INPUT 0
GP1	I1 – DIGIAL INPUT 1
GP2	I2 – DIGIAL INPUT 2
GP3	I3 – DIGIAL INPUT 3

MCP23008

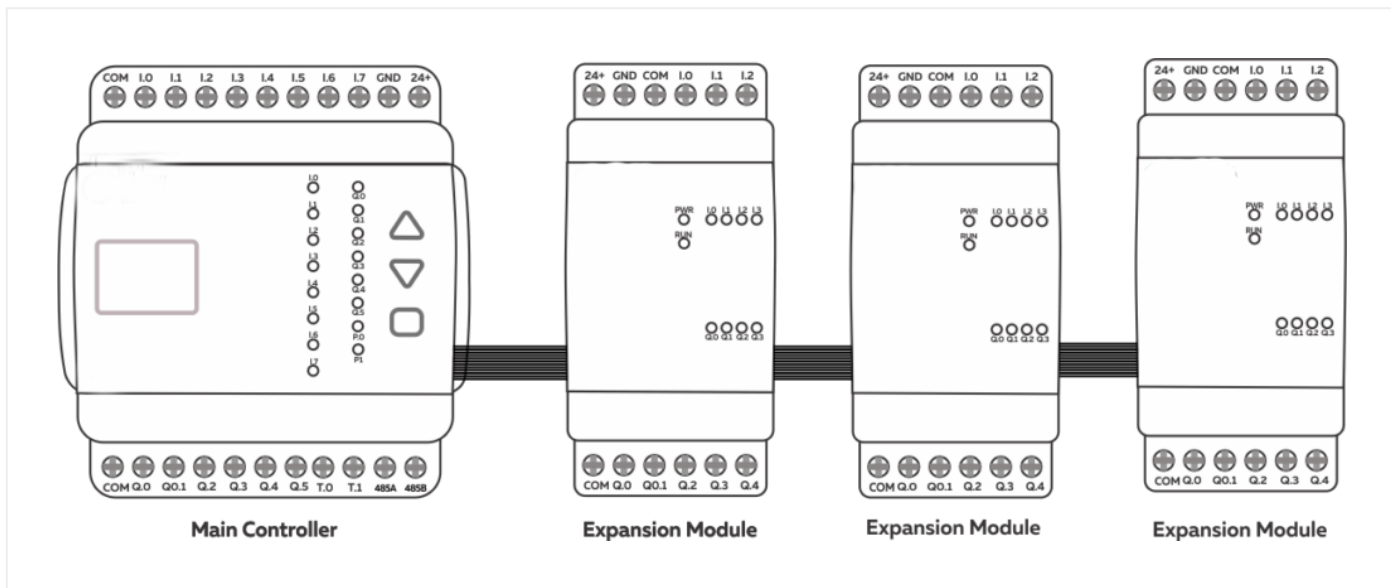
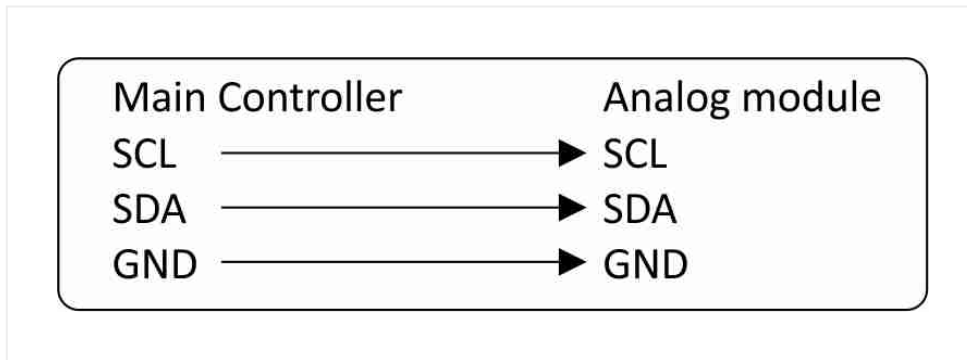
I2C SDA	GPIO16
I2C SCL	GPIO17

Expansion Port Connection

Expansion Port

The expansion port of the SENSOPER Smart Controllers can be utilized for external sensor connections where raw GPIO connections are required or they can be used to plug SENSOPER Expansion Modules

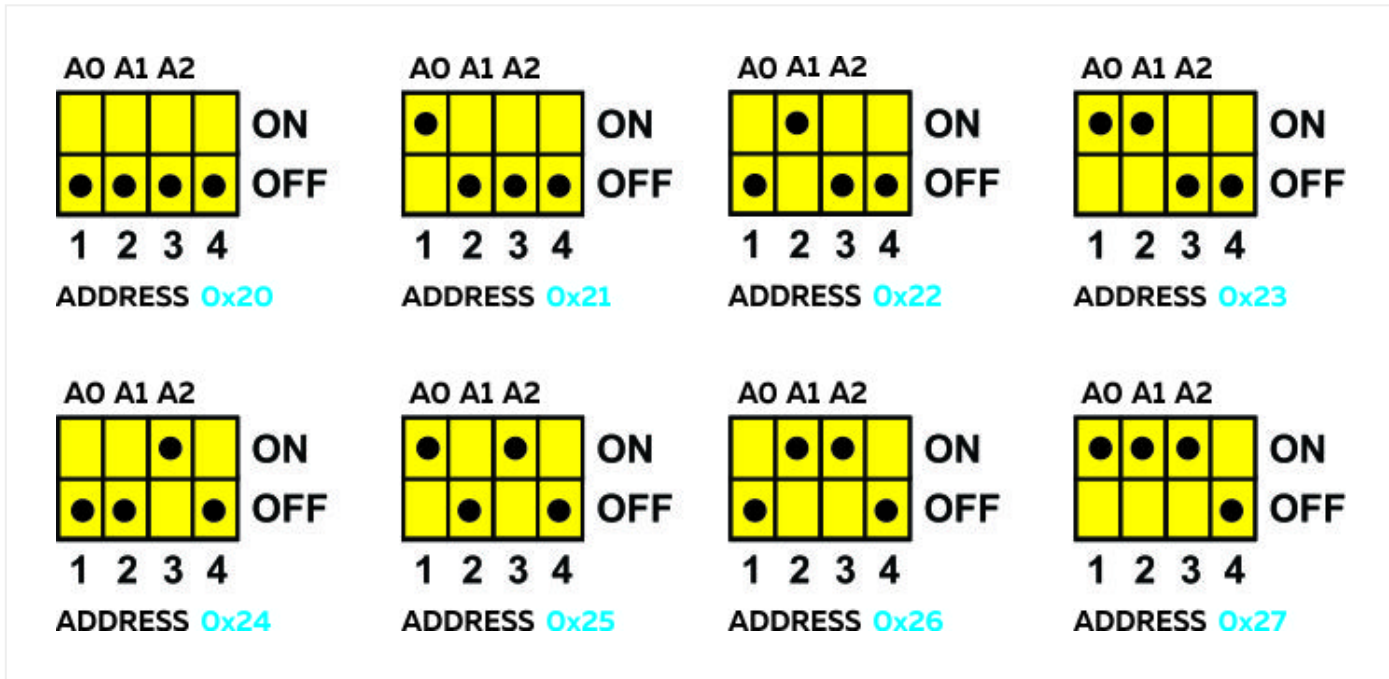
How to Connect SENSOPER Expansion Modules



Expanding SENSOPER Controller

I2C Address Setting

I2C Address of the expansion module can be configured by switching DIP Switches in the bottom of the expansion module. The device can be configured in 8, I2C addresses using the first 3, DIP switches.



Updated on March 11, 2023

© IIOT Products, 2023. Powered by weDocs plugin for WordPress
<https://iiotproducts.com>