



**MC-EX-QA8 Expansion Module**

**Transistor Output**

**Startup Guide**

## Startup Guide

---

### Content

---

1. Connecting with Power & Output Terminals.....	Page 3
2. Run Example Program.....	Page 4
3. Revision History.....	Page 6

## Startup Guide

### Introduction

SensOper MC-EX-QA8 expansion module is an advanced module can be use with CPU module.

This Transistor Output module have I2C interface for establish communication between CPU module.

Changing DIP switch configuration the I2C address can be changed.

Eight Transistor Outputs are optically isolated internally for protection of the device.

This module internal operation power is 24V DC/ 30mA.

The 40 pin board to board connectors were included for make connection between CPU module or other expansion modules.



## Startup Guide

### 1. Connecting with Power & Output Terminals

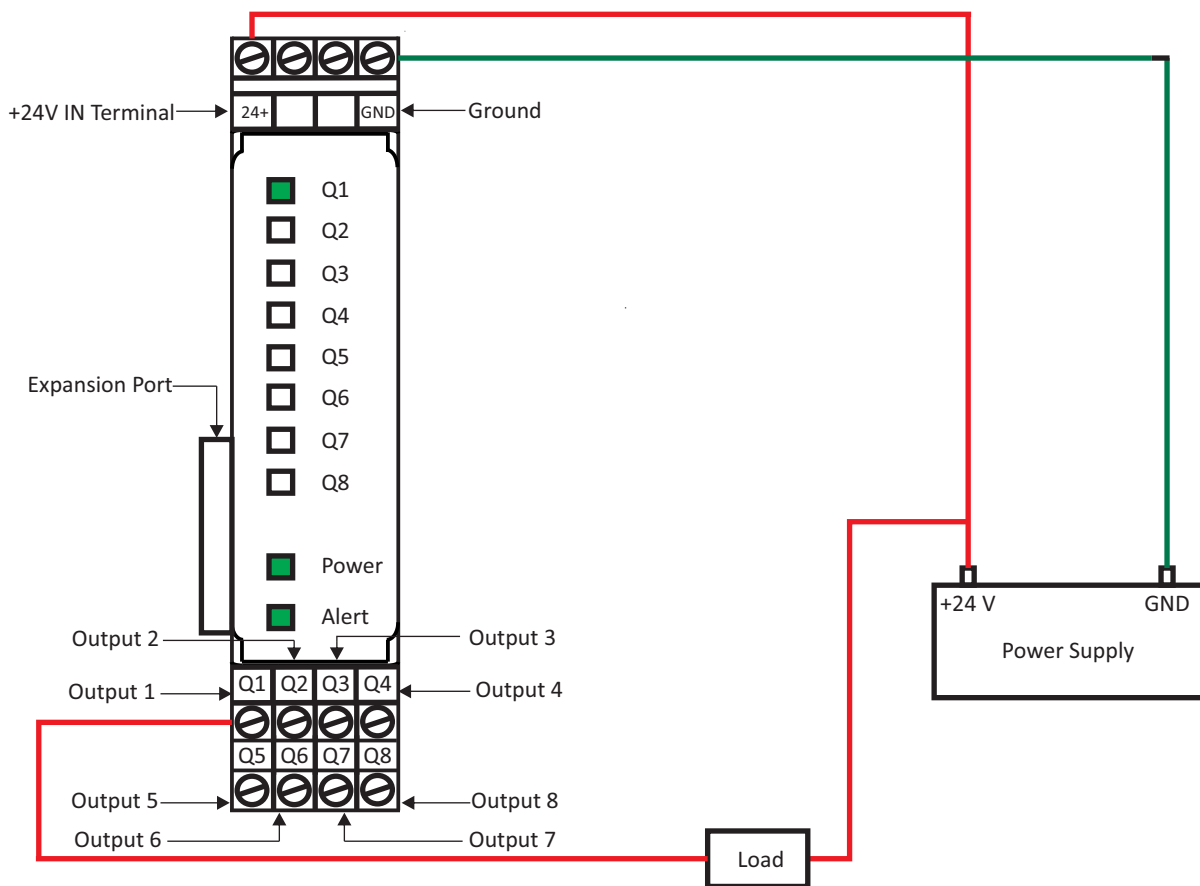


Figure 1(a): Transistor Output Expansion module power up and Output wiring.

\*Make sure not turn on all DIP switches at same time.

### CPU Module and Expansion Module GPIO Connection Diagram

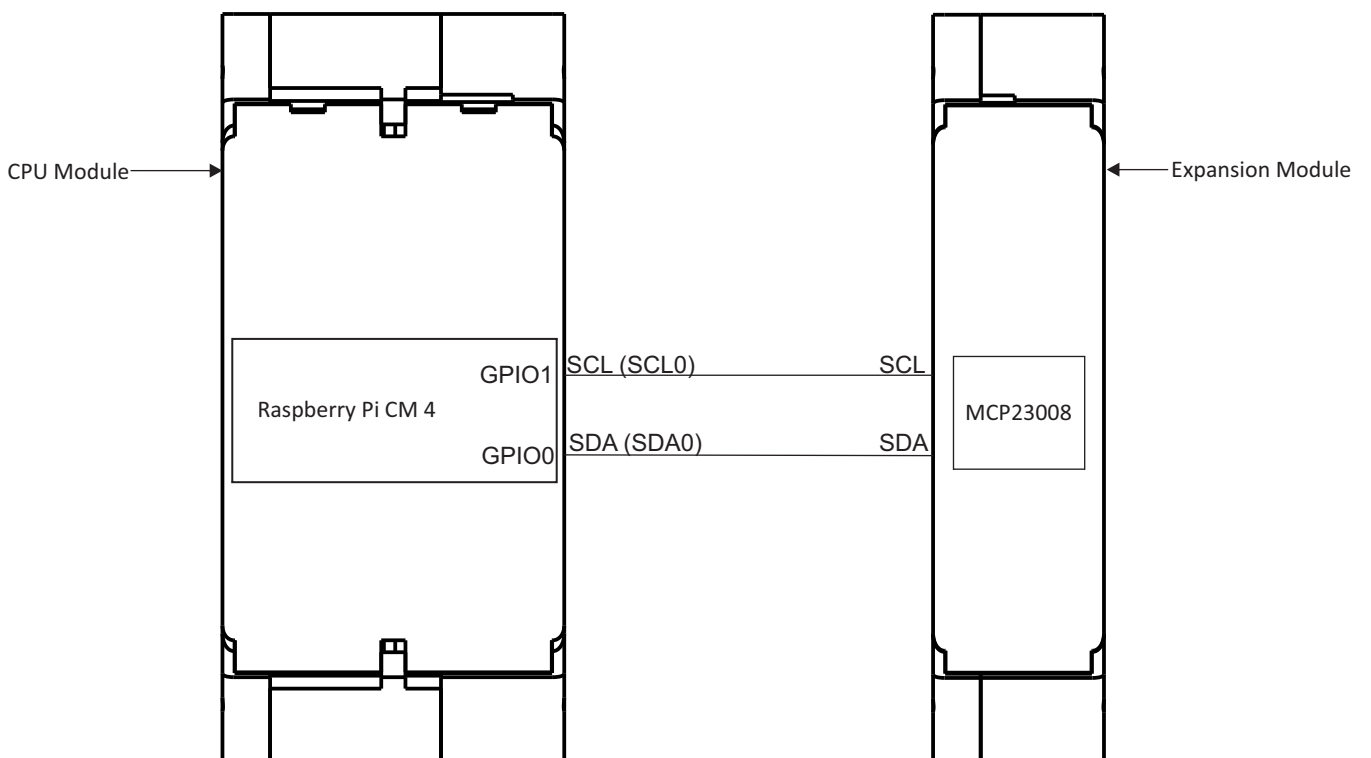


Figure 1(b): The GPIO connection with CPU module and Expansion Module.

## Startup Guide

### 2. Run Example Program

1. After following Figure 1(a), (b) diagram instructions in previous sections 1 . Connect a Transistor Output Expansion module in to the 40 pin board to board connector in CPU Module (Explained in MC-CPU-CM4-Gx datasheet).
2. Now open Terminal Window after turn on the CPU Module.
3. Type '**i2cdetect -y 0**' command and run the command.
4. The result will be similar to the Figure 2 shown below.
5. Here the '**27**' is the Transistor Output expansion module I2C address, This I2c address can be changed according to user requirement by changing the DIP switch configuration on expansion module.

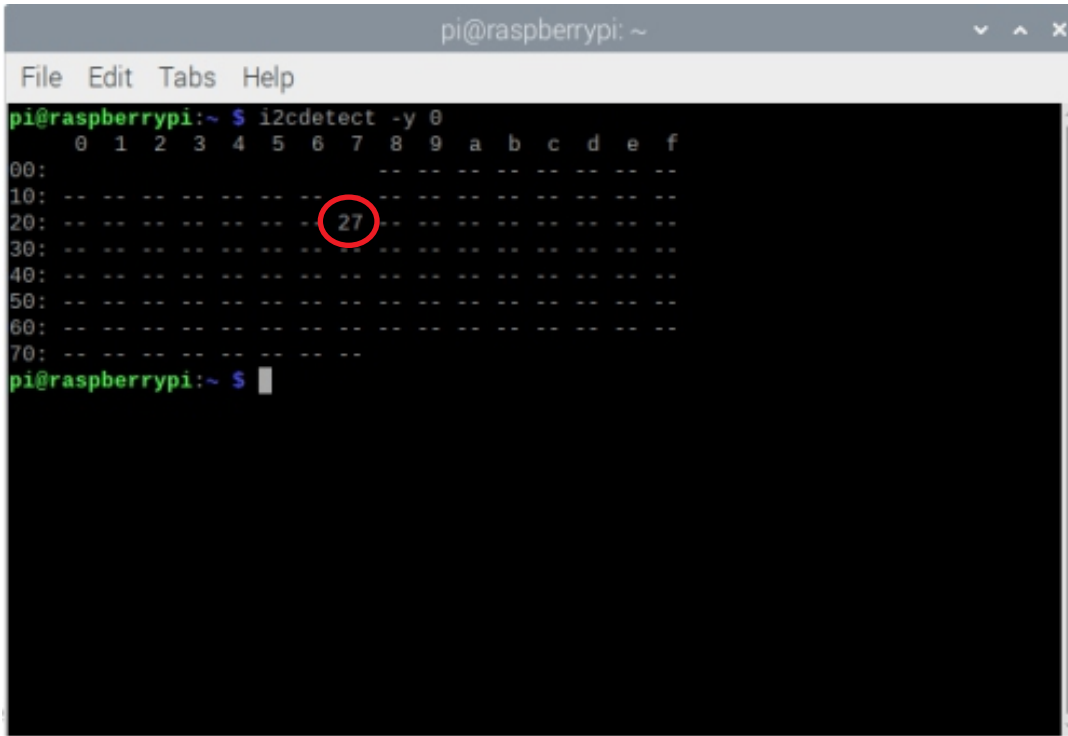


Figure 2: The Transistor Output Module I2C address check result .

6. Follow the **File Manager > Pi > Rpi\_Moduler\_test** path, then open **Rpi\_Moduler\_test** folder.
7. In **Rpi\_Moduler\_test** folder include example program for every expansion module.
8. Select the **MC\_EX\_MC23xx\_TOUT.py** example program that matches with the Transistor Output expansion module shown in Figure 3.

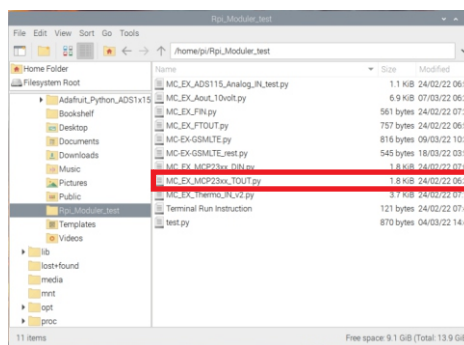


Figure 3: The example programs for expansion modules.

## Startup Guide

9. The python program will open on default Thonny Python IDE. Click RUN for start the program shown in Figure 4.

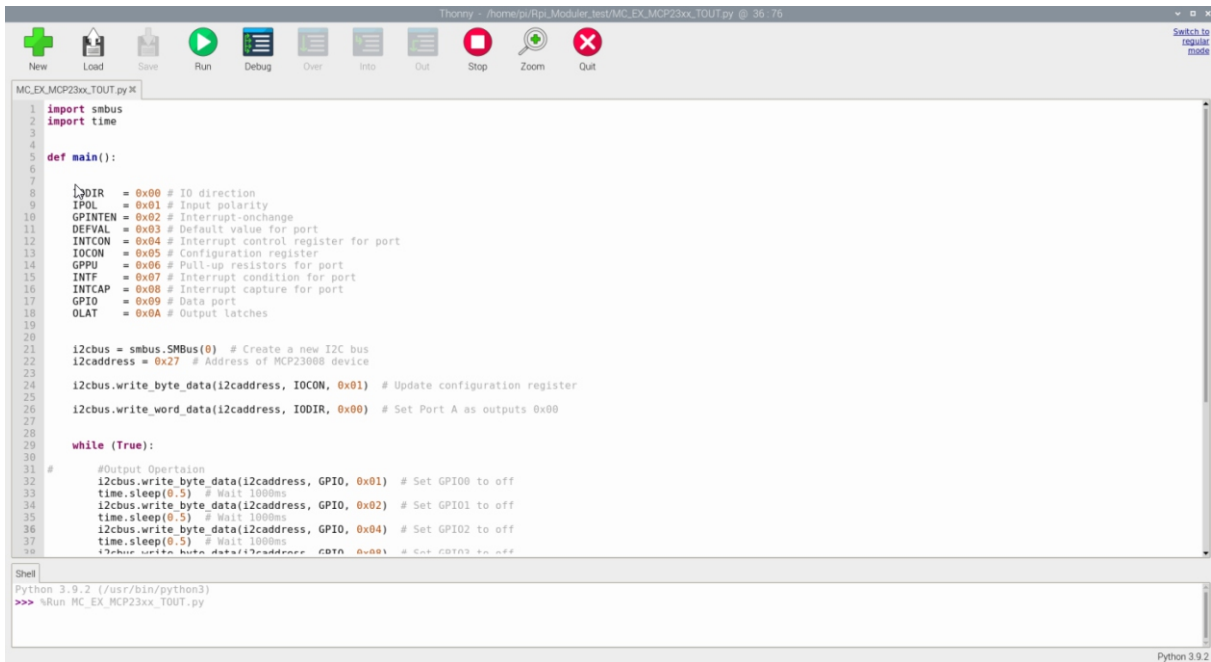


Figure 4: Transistor Output example code run on Thonny Python IDE.

Table 1: DIP Switch Table.

Address	DIP Switch A2	DIP Switch A1	DIP Switch A0
32	OFF	OFF	OFF
33	OFF	OFF	ON
34	OFF	ON	OFF
35	OFF	ON	ON
36	ON	OFF	OFF
37	ON	OFF	ON
38	ON	ON	OFF
39	ON	ON	ON

**\*Read the Product label for more details about DIP switch configuration.**

## Startup Guide

---

### 3. Revision History .

---

The table shown below include the revision history of this document.

Revision Number	Date	Substantial Changes
0	18/3/2022	First Edition of Startup guide
1	-	-

**Technical Support**  
<https://sensoper.com/support/>

**Order Online**  
<https://sensoper.com/>

**Sales Inquiries**  
<https://sensoper.com/contact-us/>