



MC-EX-FQ4 Expansion Module

Fast Transistor Output

Startup Guide

Startup Guide

Content

1. Connecting with Power & Output Terminals.....	Page 3
2. Run Example Program.....	Page 4
3. Revision History.....	Page 5

Startup Guide

Introduction

SensOper MC-EX-FQ4 expansion module is most primary module can be use with CPU module.

Four outputs are optically isolated internally for protection of the device.

This module internal operation power is 24 V DC / 30mA power supply.

The 40 pin board to board connectors were included for make connection between CPU module or other expansion modules.



Startup Guide

1. Connecting with Power & Output Terminals

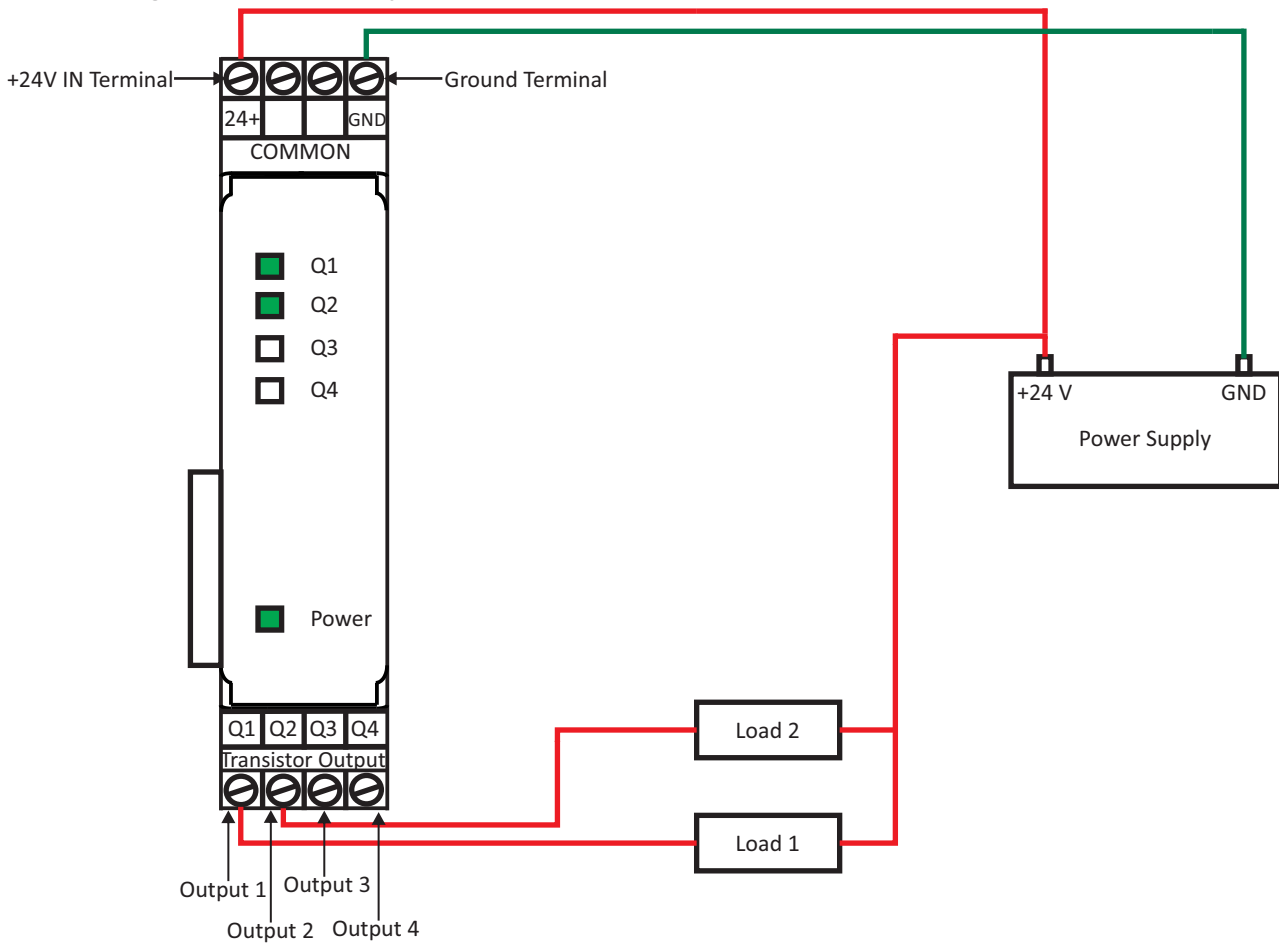


Figure 1(a): Transistor Output Expansion module power up and output wiring.

CPU Module and Expansion Module GPIO Connection Diagram

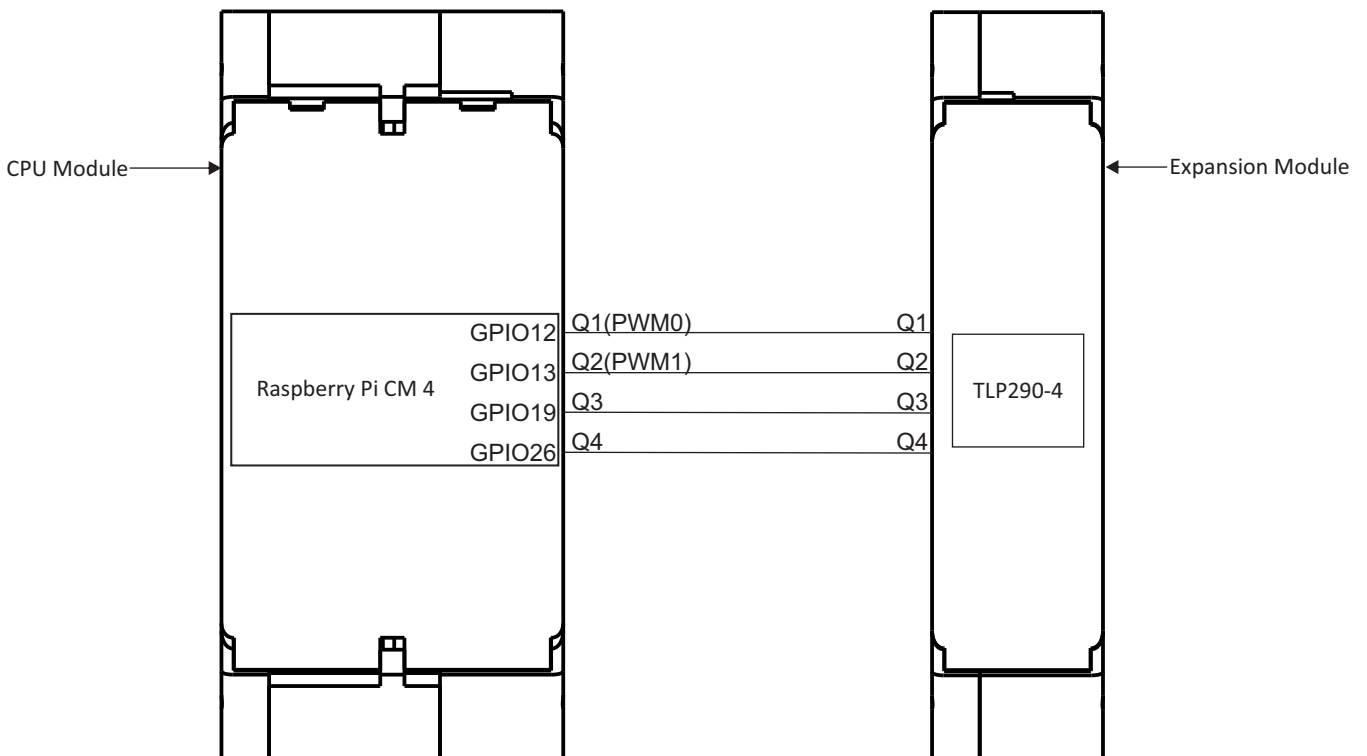


Figure 1(b): The GPIO connection with CPU module and Expansion Module.

Startup Guide

Table 1: GPIO vs OUTPUT map.

OUTPUT	GPIO
Q1	12
Q2	13
Q3	19
Q4	26

2. Run Example Program

1. After following Figure 1(a), (b) diagram instructions in previous sections 1 . Connect a Fast Transistor Output Expansion module in to the 40 pin board to board connector in CPU Module (Explained in MC-CPU-CM4-Gx datasheet).
2. Follow the **File Manager > Pi > Rpi_Moduler_test** path, Then open **Rpi_Moduler_test** folder.
3. In **Rpi_Moduler_test** folder include example program for every expansion module.
4. Select the **MC_EX_FTOUT.py** example program that matches with the Fast Transistor Output expansion module shown in Figure 2.

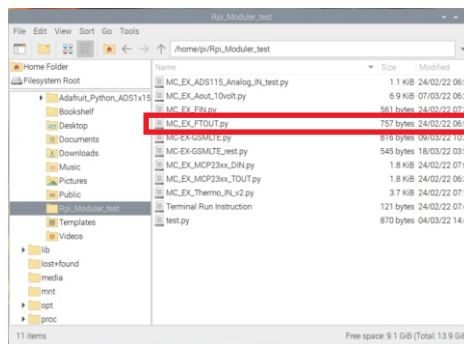


Figure 2: The example programs for expansion modules.

5. The python program will open on default Thonny Python IDE. Click **RUN** for start the program shown in Figure 3.

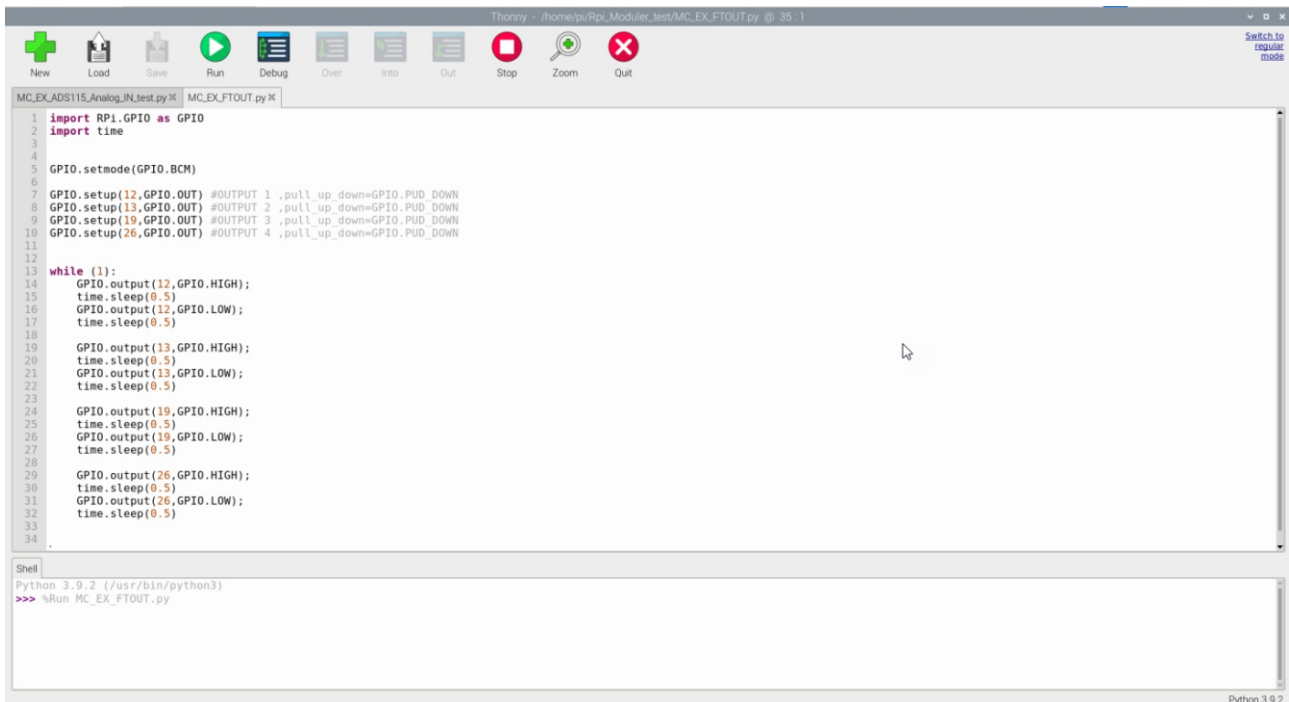


Figure 3: Fast Transistor Output example code run on Thonny Python IDE.

Startup Guide

3. Revision History .

The table shown below include the revision history of this document.

Revision Number	Date	Substantial Changes
0	18/3/2022	First Edition of Startup guide
1	-	-

Technical Support
<https://sensoper.com/support/>

Order Online
<https://sensoper.com/>

Sales Inquiries
<https://sensoper.com/contact-us/>