

- 8 Digital Inputs
- 8 Transistor outputs
- Built in OLED Display



Main

Range of product	SENS MINI
Product type	Programmable Controller
Rated supply voltage	24V DC
Discrete input number	8 discrete input
Discrete output type	Transistor
Discrete output number	2 Transistor outputs
Discrete output voltage	Open Collector transistor output
Discrete output current	0.5A with T0.0... T0.1 Transistor 5 A with R0...R5

Complementary

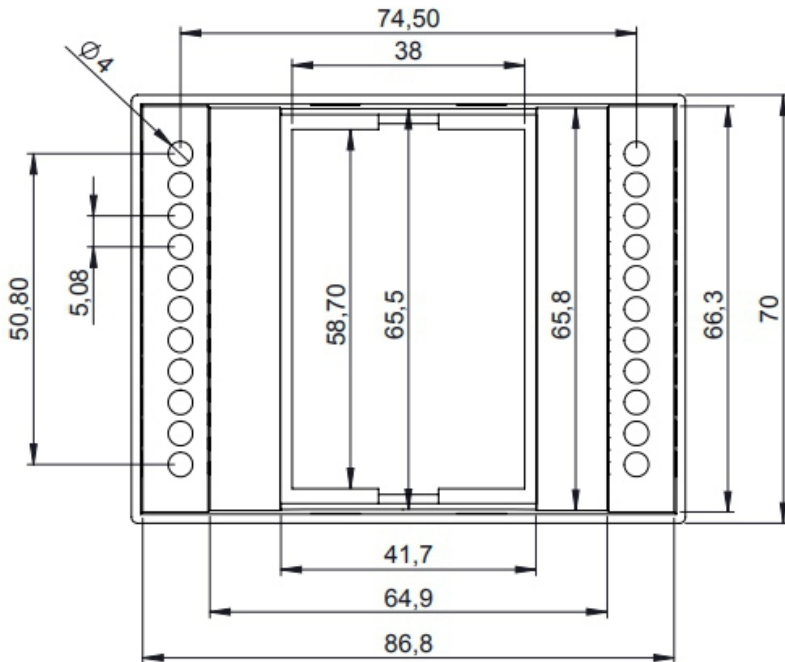
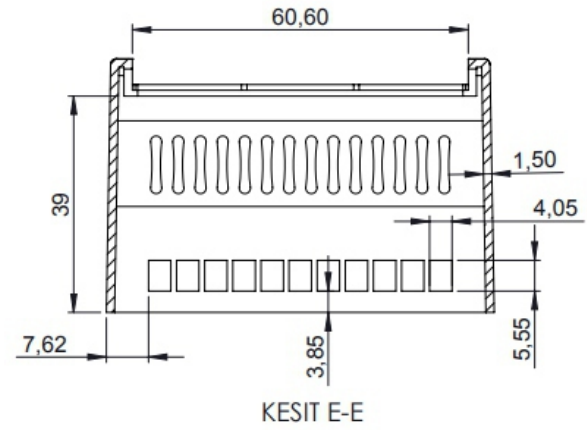
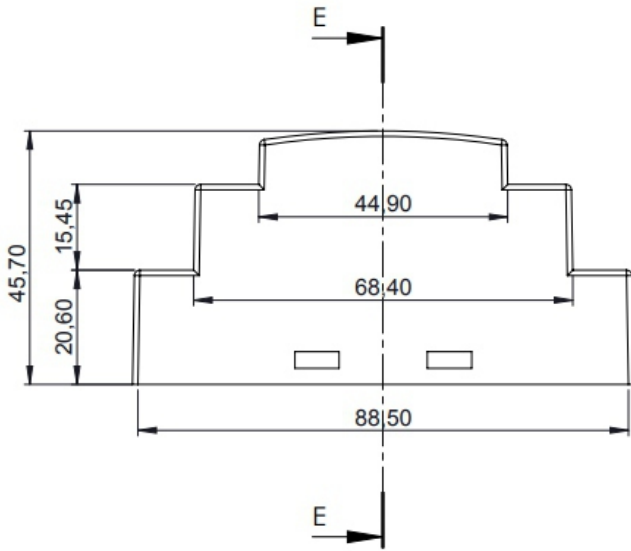
Discrete IO number	16
Number of Expansions	-----
Supply voltage limits	20.4....28.8V
Inrush current	<=50A
Power consumption in W	32.6.....40.4 with all outputs ON
Discrete logic input	Sink or source
Discrete input voltage	24V
Discrete input voltage type	DC
Voltage state 1 guaranteed	>=15 V for input
Voltage state 0 guaranteed	<=5 V for input
Discrete input current	5 mA for input
Input impedance	4.7k Ohm for input
Memory capacity	Refer datasheet of base micro-controller
Battery type	-----
Backup time	-----

Local signalling	1 LED green for PWR 1 LED green for RUN 8 LED green for I0.....I7 6 LED green for R0.....R5 2 LED green for T0....T1
Electrical connection	Removable screw terminal block for inputs and outputs (pitch 5.08 mm)
Mounting support	Top hat type TH35-15 rail conforming to IEC 60715 Top hat type TH35-7.5 rail conforming to IEC 60715 Plate or panel with fixing kit
Height	90.50 mm
Depth	56.60 mm
Width	60.60 mm
Product weight	0.43 Kg

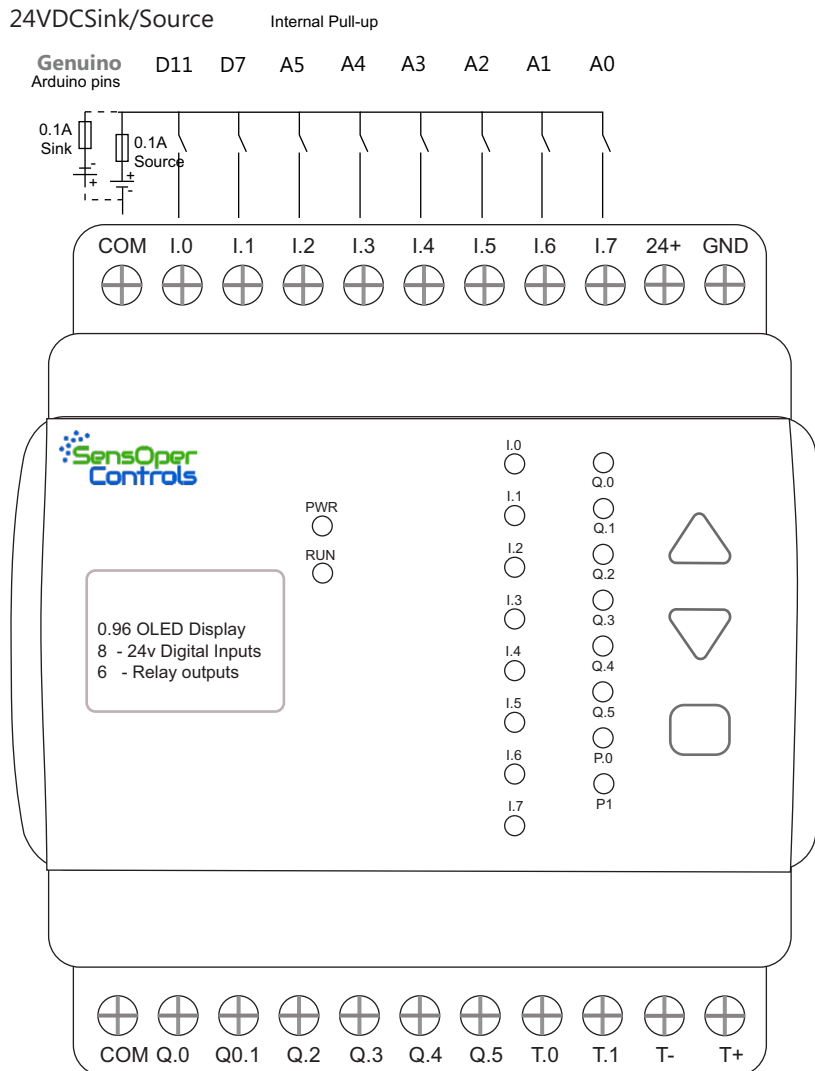
Environment

Resistance to electrostatic discharge	4kV on contact 8kV on air
Resistance to electro magnetic fields	10 V/m (80 MHz 1GHz) 3 V/m (1.4 MHz 2 GHz) 1 V/m (2 MHz 3 GHz)
Immunity to microbreaks	10 ms
Relative humidity	10....95% without condensation in operation
IP degree of protection	IP20
Operating altitude	0...2000m
Storage altitude	0...3000m
Shock resistance	15 gn for 11 ms

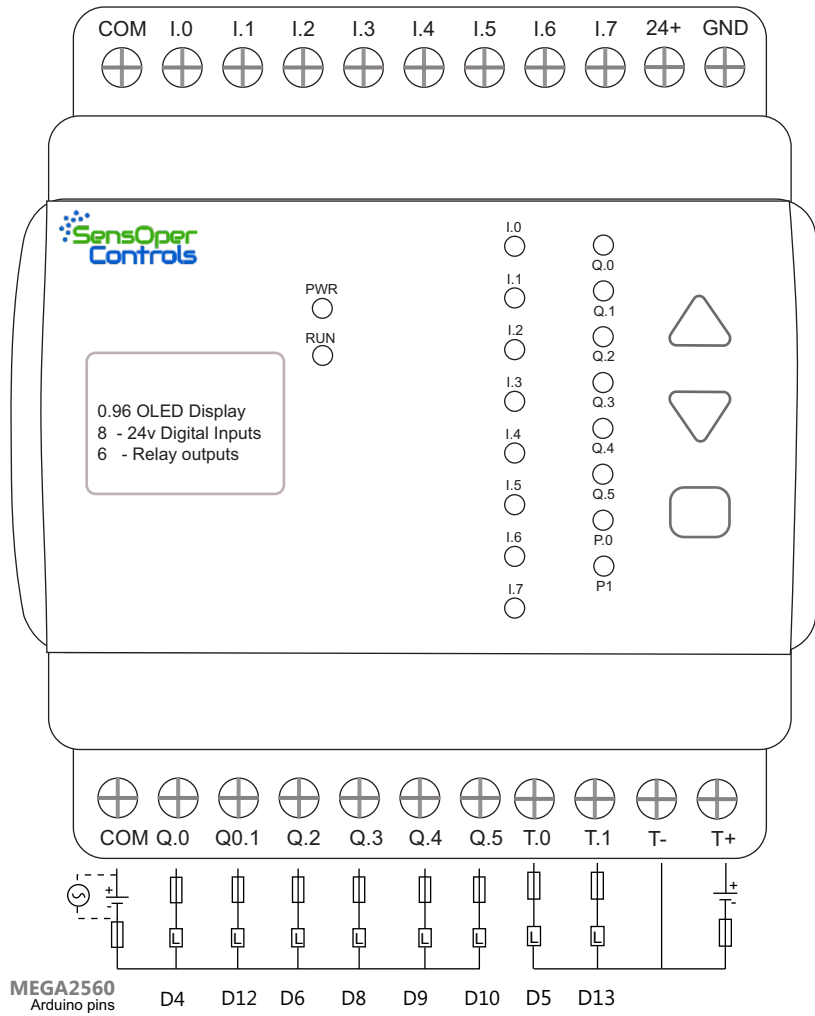
Dimensions



Digital inputs wiring diagram

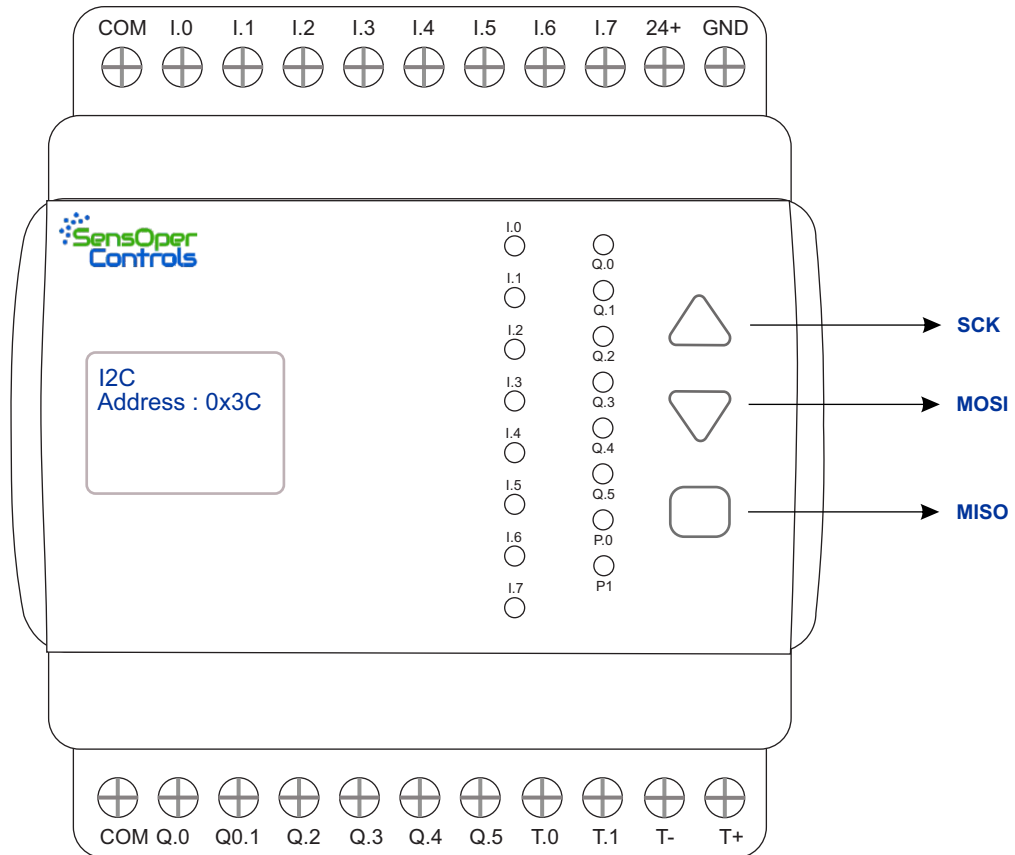


Relay and Transistor outputs wiring diagram



Integrated OLED Display and But ons

Use Adafruit OLED Library for Display functions



0.96 OLED Display parameters

Display driver	SSD1306
----------------	---------

Communication	I2C
---------------	-----

Module Address	0x3C
----------------	------

Resolution	128 x 64
------------	----------

MCU Information

MCU	ATMEGA-32U4
-----	-------------

Bootloader	Arduino Genuino/micro
------------	-----------------------



Reach-Us

Technical Support

E-mail : support@sensoper.com

Sales Inquiries

E-mail : sales@sensoper.com

Web : <https://www.sensoper.com/support/>

Order Online

<https://www.sensoper.com>