

4 Channel 0 - 10V
ADS1115 16 bit ADC

Interface with controller
I2C

Input voltage range upto 10V

Over voltage protection

Programmable Gain Amplifier

Built-in and external antenna options



Main

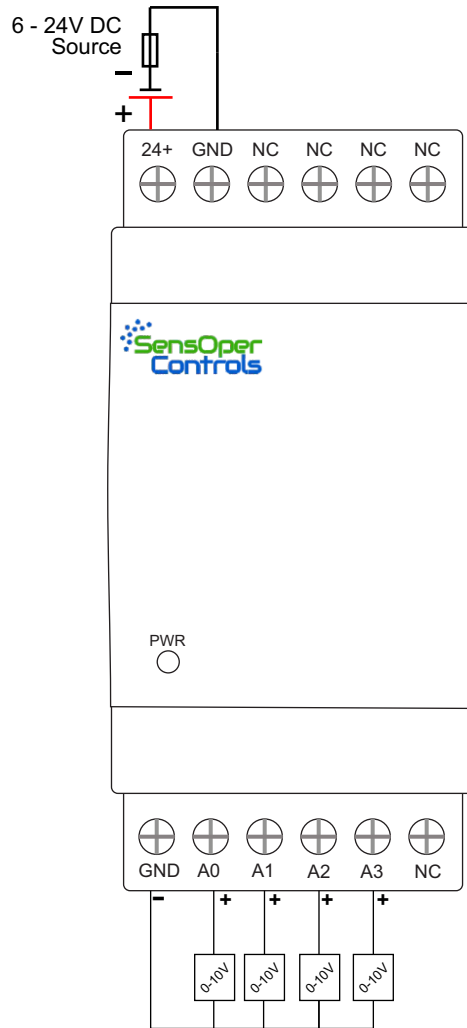
Range of product	SC - Extender
Product type	Expansion Module
Rated supply voltage	12 - 24V DC
Field of Application	Voltage measurement
Applicable Devices	Sensoper Smart Controls
Aquisition	0 - 10 V DC
ADC Chip	ADS1115
Module Address	I2C - 0x48
Resolution	16bit

Complementary

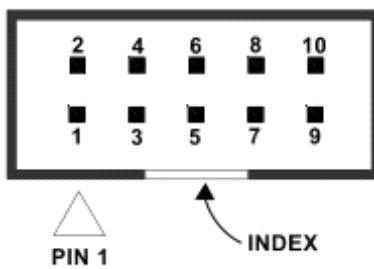
Local signalling	1 LED green for PWR
Electrical connection	Removable screw terminal block for inputs and outputs (pitch 5.08 mm)
Mounting support	Top hat type TH35-15 rail conforming to IEC 60715 Top hat type TH35-7.5 rail conforming to IEC 60715
Height	86.00 mm
Depth	59.00 mm
Width	35.00 mm
Product weight	0.12 Kg

Environment

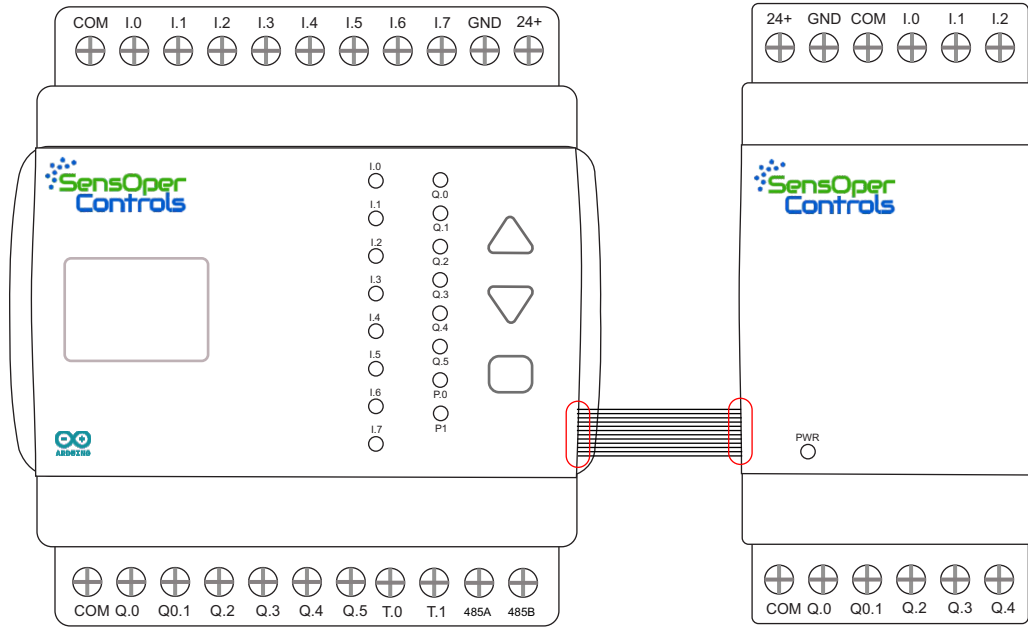
Relative humidity	10....95% without condensation in operation
IP degree of protection	IP20
Operating altitude	0...2000m
Storage altitude	0...3000m
Shock resistance	15 gn for 11 ms
Operating temperature	-40 to +85 'C



Expansion port pin map

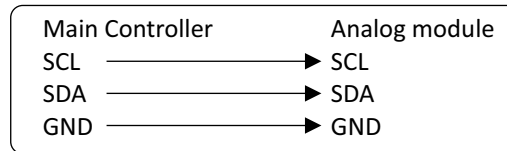


PIN	ESP32 Connection
1	TXD0
2	IO33
3	RXD0
4	Not Connected
5	IO32
6	BOOT IO0
7	SCL IO17
8	Not Connected
9	SDA IO16
10	Ground

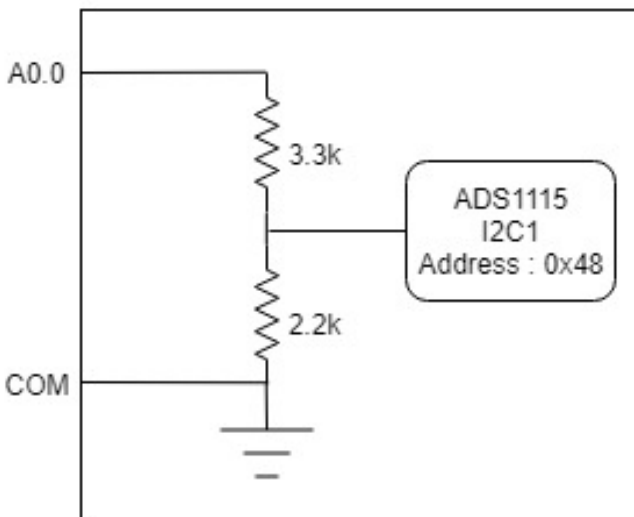


Main Controller

Expansion Module



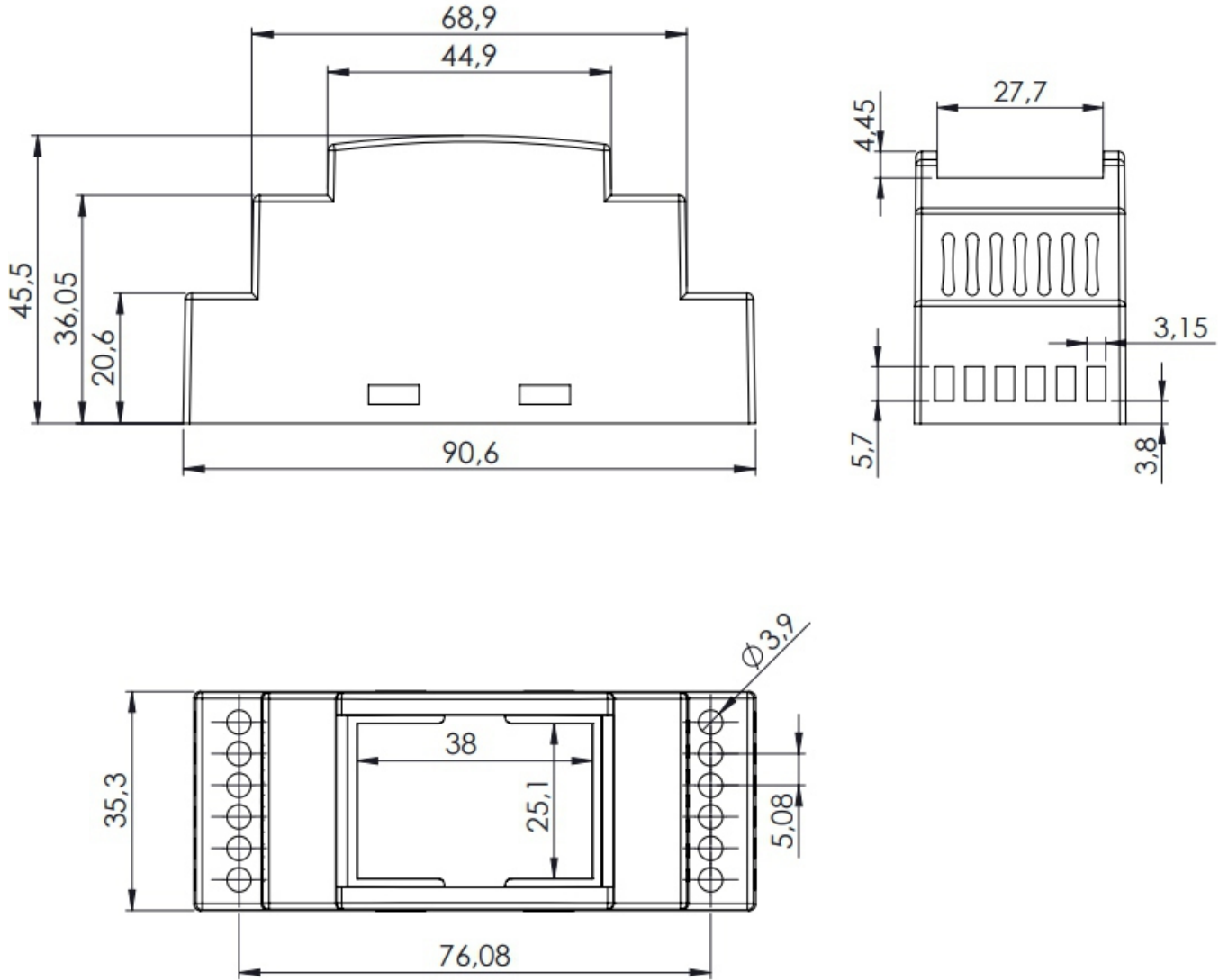
0 - 10 V input to 0 - 4V



Analog Module communication

Module Type	ADS1115
Communication	I2C
Module Address	0x48
Command set	Refer Datasheet

Dimensions





Reach-Us

Technical Support

E-mail : support@sensoper.com

Sales Inquiries

E-mail : sales@sensoper.com

Web : <https://www.sensoper.com/support/>

Order Online

<https://www.sensoper.com>